

For Product Step File or 3D Model Send a Request Mail To info@nrack.com

Key Locks



Panel Locks

Photo View

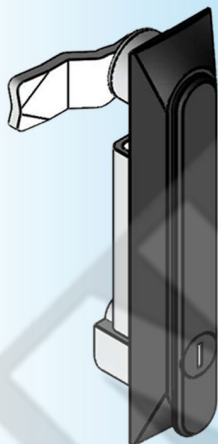


Plane Locks

3Point Locks
(Round & Flat)

Handle &
Knobs

3D Rendered View



Hinges

Airvents

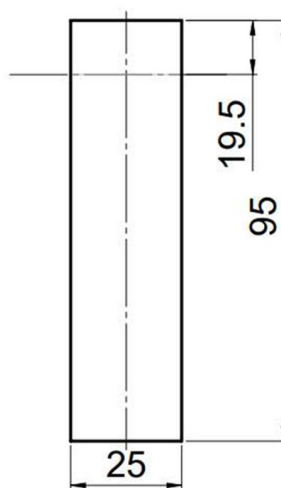
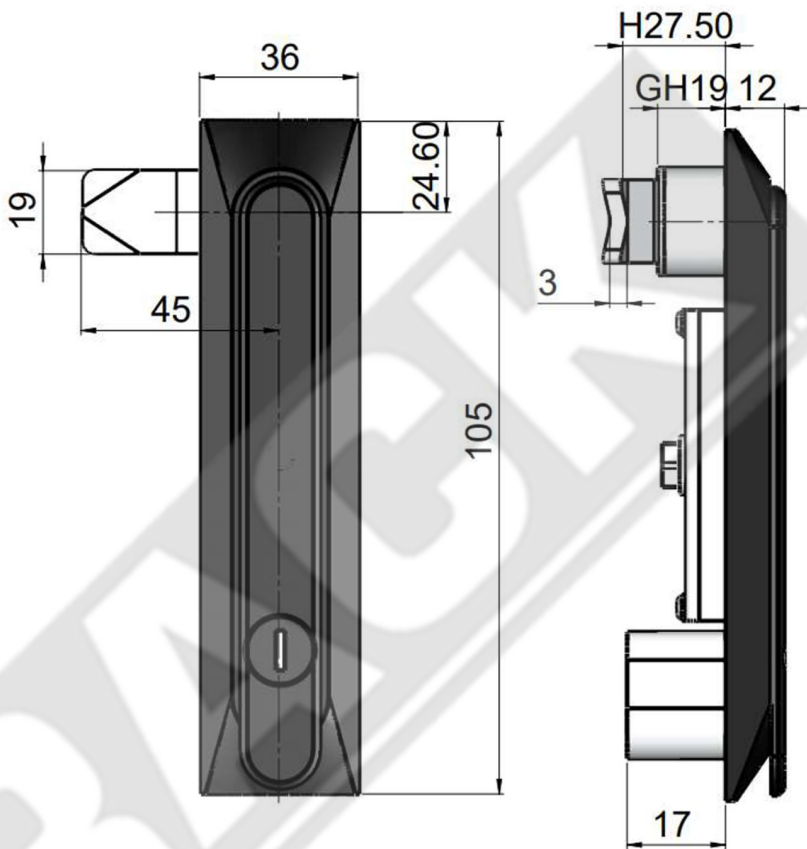
Gasketing

Canopy Locks

Other
Accessories

MS 826-3-1

- Material: Zinc Die Casting
- Finish: Black Powder Coating



CUT OUT